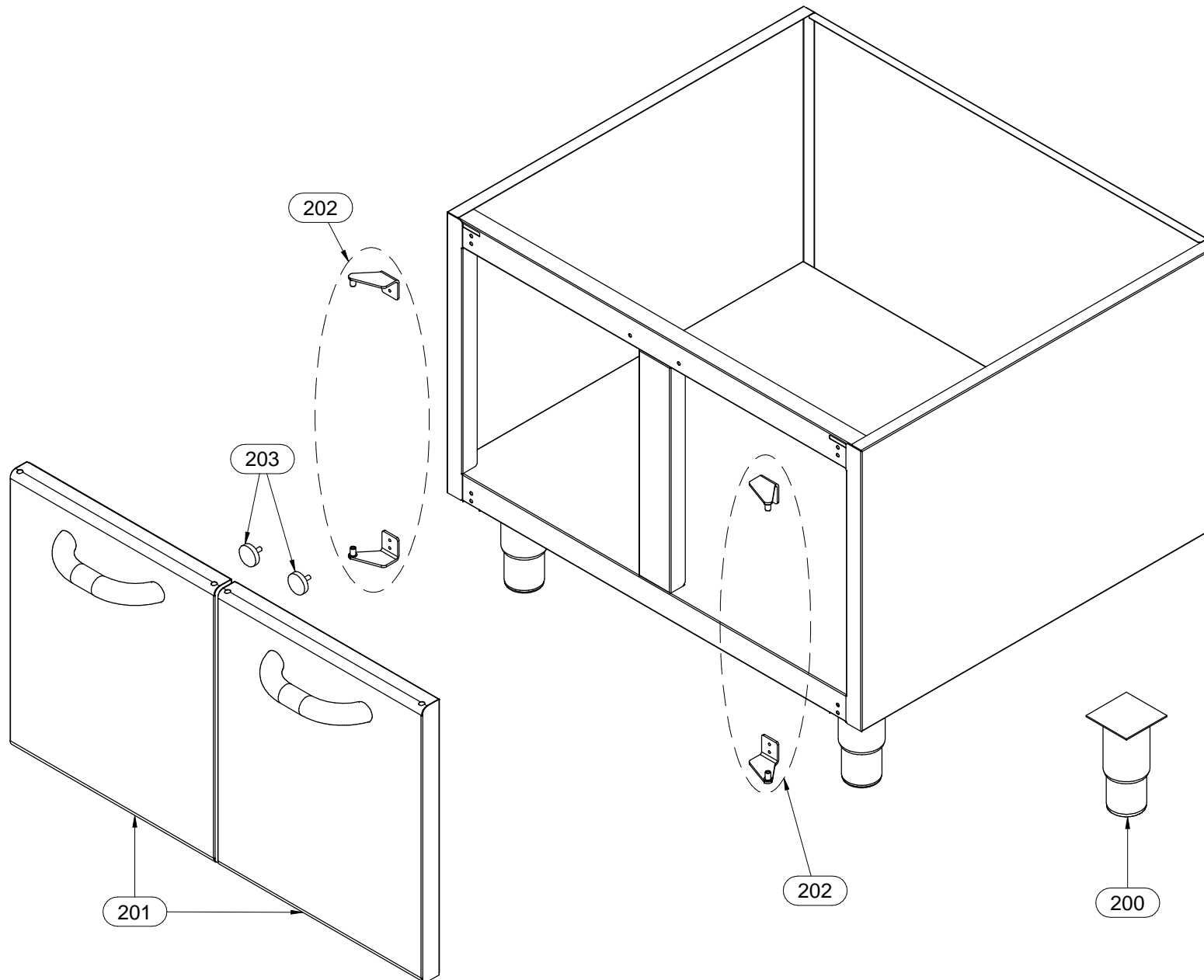


Mod./Type: 70 - 90 .../40 ... - .../80 ... - .../120 ...

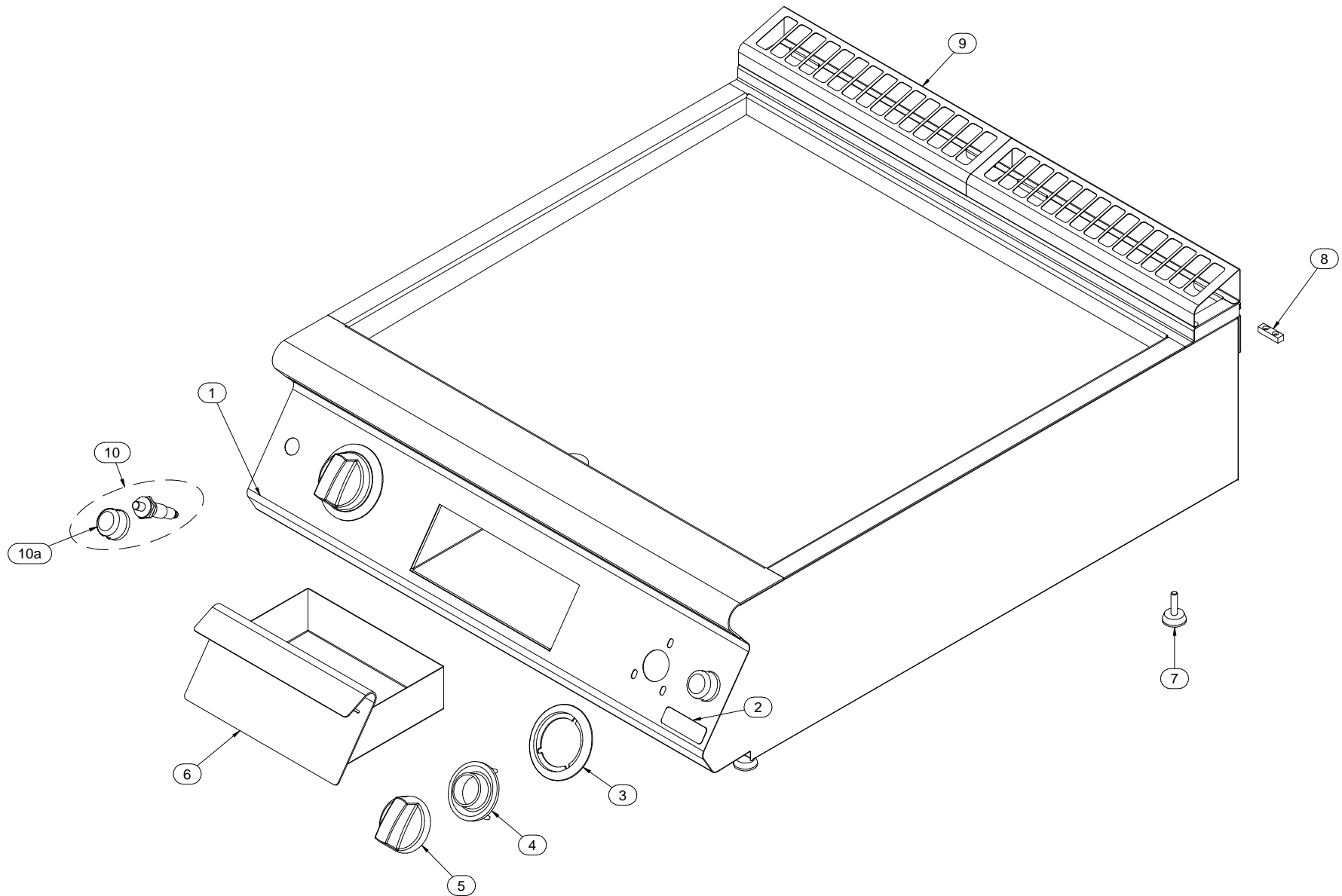
cod./num. 2531775.00

90/160 ... VANO / CABINET

data/date: 05/11/2014









Mod./Type: **\_70/... - \_90/... FT...GS-CR... / ...-TR... SIMPLE**

cod./num. 2531683.00

**\_90/... FT...G-CR / ...-TR... EXTREME**

data/date: 16/06/2014

